

Technical Data Sheet

Tubbox® Special Column EPS

Product

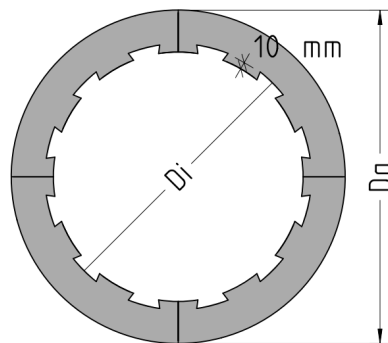
Material Properties

If EPS material will be applied for insulation then EPS with flame retardants will be used.

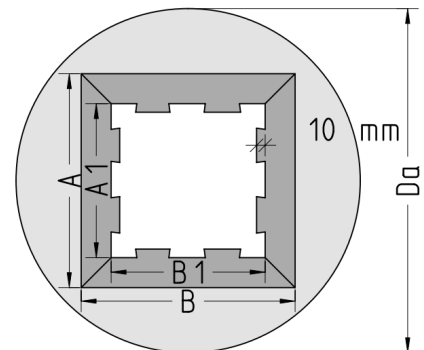
Material	Bulk density [kg/m ³]	Compressive strength [kPa]	Thermal conductivity λ [W/(m x K)]
PS 20	20 kg/m ³	100	0,040
PS 25	25 kg/m ³	150	0,035
PS 30	30 kg/m ³	200	0,035

Example – Tubbox® column former with integrated insulation (article number FTCSS01):

round:



rectangular:



The Tubbox® column former is available in diameters (Da) according to our price list.

Disclaimer / Notes:

All technical data stated in this TDS are based on laboratory tests. Actual measured data may vary due to circumstances beyond our control. Recommendations with regard to product application given in the present technical data sheet for practical assistance of product users are based on our experience and our present scientific and practical body of knowledge. These recommendations, however, are given without engagement and do not establish a contractual relationship or subsidiary duties. These recommendations do not relieve users of their liability and of their own responsibility to test, whether our product is adequate for the intended purpose of application. Please refer to the latest edition of this Technical Data Sheet on our web presence www.maxfrank.com